



EN: Stackable barstool with upholstered shell in fabric or simil leather and structure in steel tube Ø14 mm

IT: Sgabello impilabile con scocca imbottita in tessuto o finta pelle e struttura in tubo di acciaio Ø14 mm

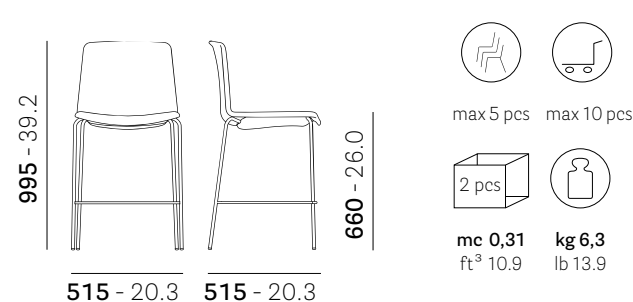
DE: Stapelbarer Hocker mit gepolsterte Schale aus Stoff oder Kunstleder und Rahmen aus Stahlrohr Ø14 mm

FR: Tabouret empilable avec coque en polypropylène moulé par double-injection et structure en tube d'acier Ø14 mm

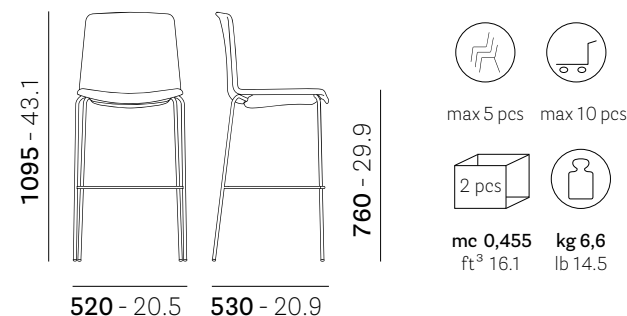
ES: Taburete apilable con carcasa tapizada en tela o polipiel y estructura en tubo de acero Ø14 mm

mm - in

• 892/2



• 896/2



MATERIALS

Materiali
Materialien
Matériaux
Materiales

• SHELL - SCOCCA - SCHALE - COQUE - CARCASA

EN: Polypropylene shell, upholstered polyurethane foam (density 65 kg/m³), fire-retardant (certified 1IM), upholstered in fabric; underbody in plastic material

IT: Scocca in polipropilene, imbottita con poliuretano espanso flessibile (densità 65 kg/m³), ignifuga (classe 1 IM), rivestita in tessuto; sottoscocca in materiale plastico

DE: Schale aus Polypropylen, gepolstert mit feuerfestem Polyurethan (Dichte 65 kg/m³), feuerfest (Klasse 1IM), bezogen mit Stoff; Unterschale aus Kunststoff

FR: Coque en polypropylène, rembourré en mousse de polyuréthane flexible (densité 65 kg/m³), ignifuges (classe 1IM), revêtues en tissu; sous-coque en matière plastique

ES: Carcasa de polipropileno, tapizada de espuma de poliuretano flexible (densidad 65 kg/m³), ignífugo (clase 1IM), forrado de tela; protección de la carcasa de plástico

FABRIC - TESSUTO - STOFF - TISSU - TEJIDO

Cat. A - C - D40÷D44 - E - G - H (Excluding / Escluso H140÷H143)

EN: For more information see finishing legend on the website

IT: Per maggiori informazioni vedere legenda finiture sul sito web

• FRAME - TELAIO - STRUKTUR - STRUCTURE - ARMAZÓN

EN: Steel frame, tube Ø14 mm

IT: Struttura in acciaio, tubo Ø14 mm

DE: Struktur aus Edelstahl Rohr Ø14 mm

FR: Structure en acier, tube Ø14 mm

ES: Estructura en acero, tubo Ø14 mm

FRAME FINISH - FINITURA TELAIO - AUSFÜHRUNG DES GESTELL - FINITIONS STRUCTURE - ACABADO ARMAZÓN

EN: Powder coating

IT: Verniciato con polvere
DE: Pulverbeschichtet
FR: Époxy à poudre
ES: Barnizado con polvo



EN: Chromed

IT: Cromato
DE: Verchromt
FR: Chromé
ES: Cromado



EN: Liquid coating

IT: Verniciato a liquido
DE: Flüssig lackiert
FR: Peinture liquide
ES: Barnizado líquido



EN: Antique brass

IT: Ottone anticato
DE: Messing Antik
FR: Laiton vieilli
ES: Latón antiguo





• **FEET - PIEDINI - GLEITER - PATINS - TACOS**

EN: White or black technopolymer, on request feet with felt /00 suitable for delicate and sensitive floors (wood, ceramic, marble)

IT: Tecnopolimero bianco o nero, a richiesta piedini con feltrino /00 adatti per pavimenti delicati e sensibili (legno, ceramica, marmo)
DE: Weißes oder schwarzes Technopolymer, auf Anfrage Füße mit Filz /00 geeignet für empfindliche und sensible Böden (Holz, Keramik, Marmor)
FR: Technopolymère blanc ou noir, sur demande pieds avec feutre /00 adapté aux sols délicats et sensibles (bois, céramique, marbre)
ES: Tecnopolímero blanco o negro, a petición pies con fieltro /00 adecuado para suelos delicados y sensibles (madera, cerámica, mármol)

DESIGN
Marc Sadler

<p>ACCESSORIES Accessori Zubehörteile Accessoires Accesorios</p>	<p>code 775.100</p> <p>EN: Trolley IT: Carrello DE: Wagen FR: Chariot ES: Carrito</p>																																										
<p>REGULATIONS AND CERTIFICATES Normative e Certificazioni Bestimmungen und Zertifikat Normatives et certifications Normativas y certificados</p>	<ul style="list-style-type: none"> <p>RESISTANCE TEST - TEST DI RESISTENZA - TEST ZUR BELASTBARKEIT - TEST DE RÉSISTANCE - PRUEBA DE RESISTENCIA</p> <p>EN 1728:2012, 6.4 - EN 16139:2013, L2 EN 1728:2012, 6.5 - EN 16139:2013, L2 EN 1728:2012, 6.17 - EN 16139:2013, L2</p> <p>ENVIRONMENTAL IMPACT - IMPATTO AMBIENTALE - UMWELTBELASTUNG - IMPACT DUR L'ENVIRONNEMENT - IMPACTO AMBIENTAL</p> <table border="1"> <thead> <tr> <th>MATERIAL Materiale</th> <th>Kg WEIGHT Peso</th> <th>% TOTAL ITEM Totale articolo</th> <th>MATERIAL RECYCLABILITY Riciclabilità del materiale</th> <th>% MINIMUM RECYCLED AT ORIGIN Minima riciclato all'origine</th> <th>% RECYCLABLE END OF PRODUCT LIFE Riciclabile fine vita prodotto</th> </tr> </thead> <tbody> <tr> <td>Steel Acciaio</td> <td>3,29</td> <td>49,21</td> <td>YES</td> <td>33,2</td> <td>100</td> </tr> <tr> <td>Polypropylene Polipropilene</td> <td>2,5</td> <td>37,40</td> <td>YES</td> <td>0</td> <td>100</td> </tr> <tr> <td>Polyethylene Polietilene</td> <td>0,02</td> <td>0,30</td> <td>YES</td> <td>0</td> <td>100</td> </tr> <tr> <td>Polyurethan foam Poliuretano espanso</td> <td>0,7</td> <td>10,47</td> <td>NO</td> <td>0</td> <td>0</td> </tr> <tr> <td>Fabric Tessuto</td> <td>0,18</td> <td>2,62</td> <td>NO</td> <td>0</td> <td>0</td> </tr> <tr> <td>TOTAL TOTALE</td> <td>6,69 Kg</td> <td>--</td> <td>--</td> <td>16,3 %</td> <td>86,9%</td> </tr> </tbody> </table> <p>EN: Percentages referred to 896/2 IT: Percentuali riferite al 896/2</p> <p>COMPANY CERTIFICATIONS - CERTIFICAZIONI AZIENDALI - UNTERNEHMENSZERTIFIZIERUNGEN - CERTIFICATIONS D'ENTREPRISE - CERTIFICACIONES DE LA EMPRESA</p> <div style="display: flex; justify-content: space-around;"> <div style="text-align: center;"> <p>ISO 14001 Environmental management system Sistema di gestione ambientale</p>  </div> <div style="text-align: center;"> <p>ISO 9001 Quality management system Sistema di gestione della qualità</p>  </div> </div> 	MATERIAL Materiale	Kg WEIGHT Peso	% TOTAL ITEM Totale articolo	MATERIAL RECYCLABILITY Riciclabilità del materiale	% MINIMUM RECYCLED AT ORIGIN Minima riciclato all'origine	% RECYCLABLE END OF PRODUCT LIFE Riciclabile fine vita prodotto	Steel Acciaio	3,29	49,21	YES	33,2	100	Polypropylene Polipropilene	2,5	37,40	YES	0	100	Polyethylene Polietilene	0,02	0,30	YES	0	100	Polyurethan foam Poliuretano espanso	0,7	10,47	NO	0	0	Fabric Tessuto	0,18	2,62	NO	0	0	TOTAL TOTALE	6,69 Kg	--	--	16,3 %	86,9%
MATERIAL Materiale	Kg WEIGHT Peso	% TOTAL ITEM Totale articolo	MATERIAL RECYCLABILITY Riciclabilità del materiale	% MINIMUM RECYCLED AT ORIGIN Minima riciclato all'origine	% RECYCLABLE END OF PRODUCT LIFE Riciclabile fine vita prodotto																																						
Steel Acciaio	3,29	49,21	YES	33,2	100																																						
Polypropylene Polipropilene	2,5	37,40	YES	0	100																																						
Polyethylene Polietilene	0,02	0,30	YES	0	100																																						
Polyurethan foam Poliuretano espanso	0,7	10,47	NO	0	0																																						
Fabric Tessuto	0,18	2,62	NO	0	0																																						
TOTAL TOTALE	6,69 Kg	--	--	16,3 %	86,9%																																						

Reproduction of this document is strictly prohibited without prior written authorisation from Pedrali SpA. Sizes, weights and finishes may change without previous notice.
 È vietata la riproduzione del seguente documento senza previa autorizzazione scritta da parte di Pedrali SpA. Dimensioni, pesi e finiture possono variare senza alcun preavviso.

ST_TWEET_892-2_896-2_2023.0