

BDH001/100 - BDH001/100\_USB - BDH001/140 - BDH001/140\_USB -  
 BDH001T/100 - BDH001T/100\_USB - BDH001T/140 - BDH001T/140\_USB -  
 BDH002/100 - BDH002/100\_USB - BDH002/140 - BDH002/140\_USB

100%  
MADE IN  
ITALY

DESIGN  
Busetti Garuti Redaelli



EN: One/two-seater in polyurethane injected foam supported by elastic belts, backrest and armrests in polyurethane injected foam and aluminium legs. Characterized by a wrap-around sound absorbing panel available in two heights

IT: Seduta a uno o due posti in schiumato poliuretano con cinghie elastiche, schienale e braccioli in schiumato poliuretano e gambe in alluminio. Caratterizzato da un pannello fonoassorbente perimetrale disponibile in due altezze

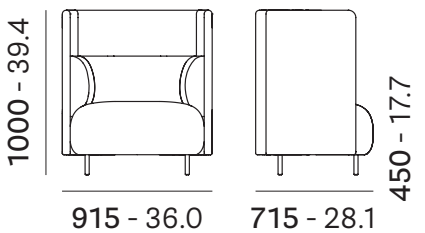
DE: Sitz aus Polyurethanschaum und elastischen Gurten, Rücken- und Armlehnen aus Polyurethanschaum und Beinen aus Aluminium. Zeichnet sich durch ein umlaufendes Schallschutzpaneel in zwei Höhen

FR: Assise à un ou deux places en mousse de polyuréthane avec cingles élastiques, dossier et accoudoirs en mousse de polyuréthane et pieds en aluminium. Caractérisé par un panneau insonorisant périphérique en deux hauteurs

ES: Asiento de uno o dos plazas de espuma de poliuretano con cinturones elásticos, respaldo y reposabrazos de espuma de poliuretano y patas de aluminio. Se caracteriza por un panel perimetral insonorizado disponibles en dos alturas

mm - in

## • BDH001/100



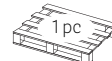
Disassembled  
Da assemblare



mc 0,61  
ft³ 21.5



kg 45  
lb 99.2

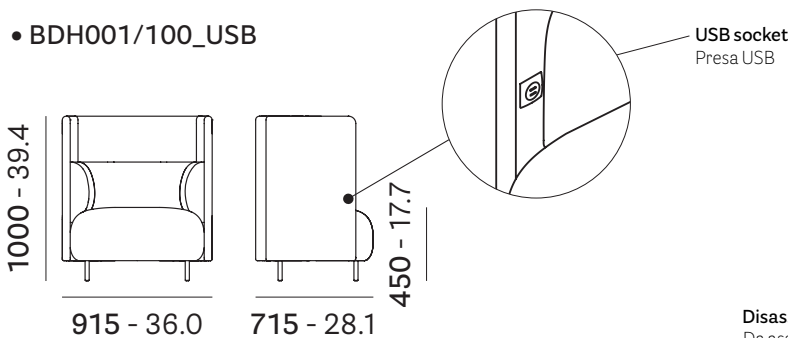


1,00 x 1,34 m  
H 1,25 m



1,00 x 1,34 m  
H 1,90 m

## • BDH001/100\_USB



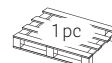
Disassembled  
Da assemblare



mc 0,61  
ft³ 21.5



kg 45.2  
lb 99.65



1,00 x 1,34 m  
H 1,25 m

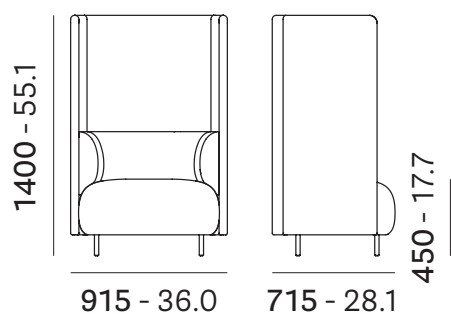


1,00 x 1,34 m  
H 1,90 m

BDH001/100 - BDH001/100\_USB - BDH001/140 - BDH001/140\_USB -  
 BDH001T/100 - BDH001T/100\_USB - BDH001T/140 - BDH001T/140\_USB -  
 BDH002/100 - BDH002/100\_USB - BDH002/140 - BDH002/140\_USB

DESIGN  
 Busetti Garuti Redaelli

## • BDH001/140



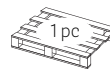
Disassembled  
 Da assemblare



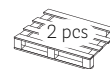
mc 0,69  
 ft³ 24.3



kg 60  
 lb 132.3

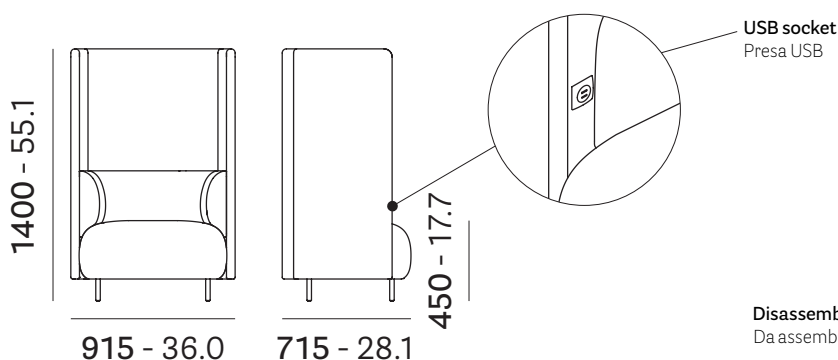


1,00x1,34 m  
 H 1,25 m



1,00x1,34 m  
 H 1,90 m

## • BDH001/140\_USB



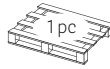
Disassembled  
 Da assemblare



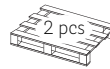
mc 0,69  
 ft³ 24.3



kg 60.2  
 lb 132.72

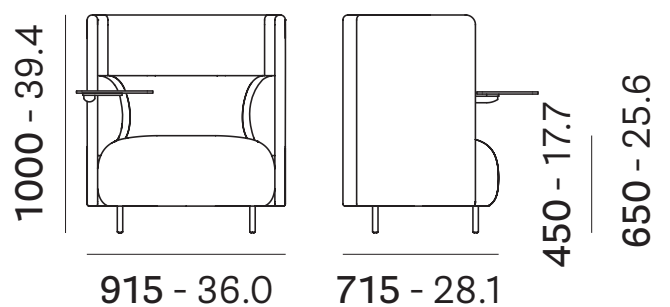


1,00x1,34 m  
 H 1,25 m



1,00x1,34 m  
 H 1,90 m

## • BDH001T/100



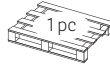
Disassembled  
 Da assemblare



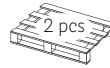
0,61mc  
 ft³ 21.54



45.3kg  
 lb 99.87



1,00x1,34 m  
 H 1,25 m



1,00x1,34 m  
 H 1,90 m

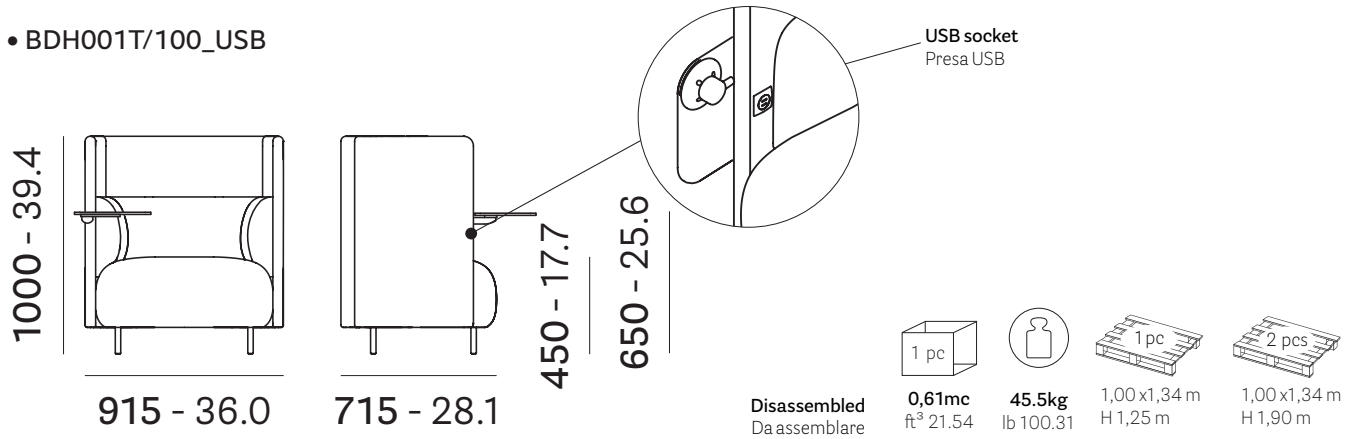
Reproduction of this document is strictly prohibited without prior written authorisation from Pedrali Spa. Sizes, weights and finishes may change without previous notice.  
 È vietata la riproduzione del seguente documento senza previa autorizzazione scritta da parte di Pedrali Spa. Dimensioni, pesi e finiture possono variare senza alcun preavviso.

ST\_BUDDYHUB\_2024.1

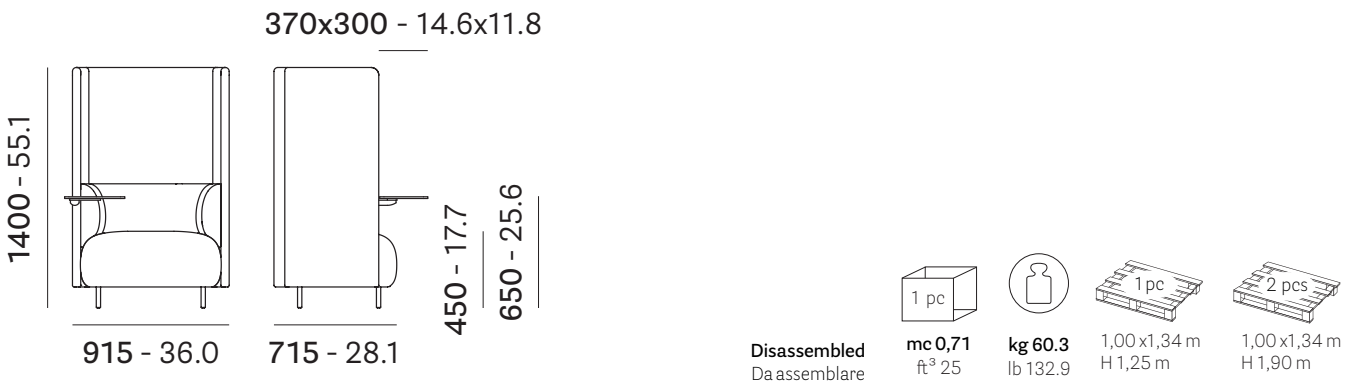
BDH001/100 - BDH001/100\_USB - BDH001/140 - BDH001/140\_USB -  
 BDH001T/100 - BDH001T/100\_USB - BDH001T/140 - BDH001T/140\_USB -  
 BDH002/100 - BDH002/100\_USB - BDH002/140 - BDH002/140\_USB

DESIGN  
 Busetti Garuti Redaelli

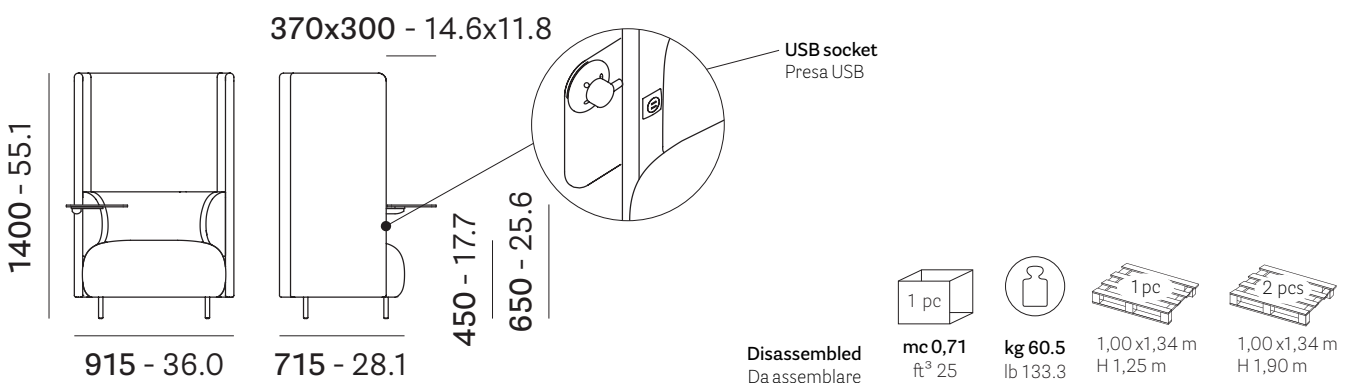
## • BDH001T/100\_USB



## • BDH001T/140



## • BDH001T/140\_USB



Reproduction of this document is strictly prohibited without prior written authorisation from Pedrali Spa. Sizes, weights and finishes may change without previous notice.  
 È vietata la riproduzione del seguente documento senza previa autorizzazione scritta da parte di Pedrali Spa. Dimensioni, pesi e finiture possono variare senza alcun preavviso.

ST-BUDDYHUB\_2024.1

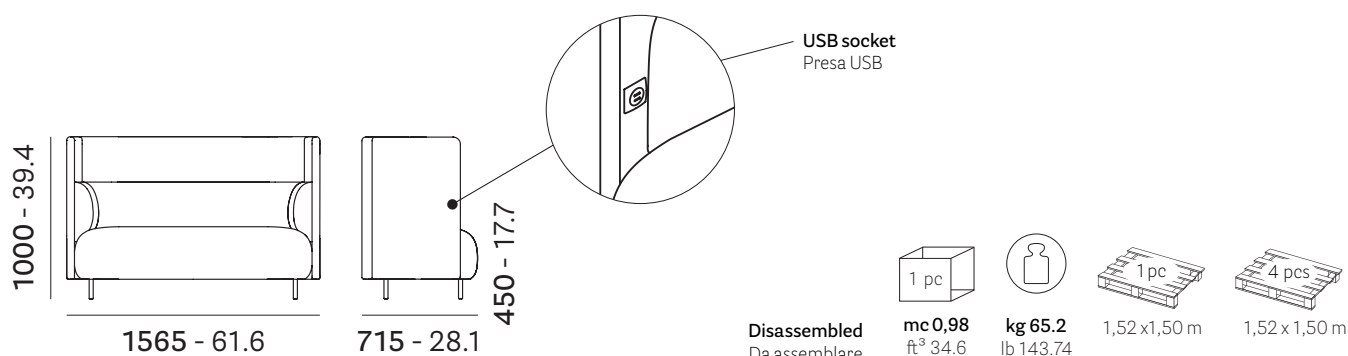
BDH001/100 - BDH001/100\_USB - BDH001/140 - BDH001/140\_USB -  
 BDH001T/100 - BDH001T/100\_USB - BDH001T/140 - BDH001T/140\_USB -  
 BDH002/100 - BDH002/100\_USB - BDH002/140 - BDH002/140\_USB

DESIGN  
 Busetti Garuti Redaelli

## • BDH002/100



## • BDH002/100\_USB



## • BDH002/140



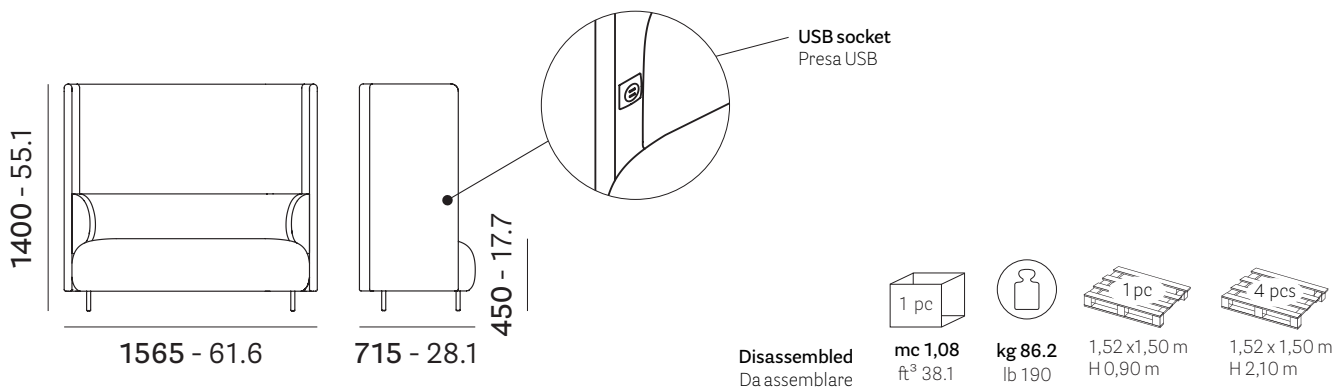
Reproduction of this document is strictly prohibited without prior written authorisation from Pedrali Spa. Sizes, weights and finishes may change without previous notice.  
 È vietata la riproduzione del seguente documento senza previa autorizzazione scritta da parte di Pedrali Spa. Dimensioni, pesi e finiture possono variare senza alcun preavviso.

ST-BUDDYHUB\_2024.1

BDH001/100 - BDH001/100\_USB - BDH001/140 - BDH001/140\_USB -  
 BDH001T/100 - BDH001T/100\_USB - BDH001T/140 - BDH001T/140\_USB -  
 BDH002/100 - BDH002/100\_USB - BDH002/140 - BDH002/140\_USB

DESIGN  
 Busetti Garuti Redaelli

## •BDH002/140\_USB



## MATERIALS

Materiali  
 Materialien  
 Matériaux  
 Materiales

### • SEAT - SEDILE - SITZFLÄCHE - ASSISE - ASIENTO

**EN: Molded and padded expanded flexible polyurethane (density 65 kg/m<sup>3</sup>), fire-retardant (certified 1IM), upholstered in fabric, internal structure in metal with elastic belts**

IT: Stampato e imbottito in poliuretano espanso flessibile (densità 65 kg/m<sup>3</sup>), ignifugo (classe 1IM), rivestito in tessuto, struttura interna in acciaio con cinghie elastiche

DE: Gedruckt und gepolstert mit flexiblem Polyurethan (Dichte 65 kg/m<sup>3</sup>), feuerfest (Klasse 1IM), bezogen mit Stoff. Innere Struktur aus Stahl mit elastischen Gurten

FR: Moulées et rembourrées en polyuréthane expansé flexible (densité 65 kg / m<sup>3</sup>), ignifuges (classe 1IM), revêtues en tissu, structure interne en acier avec bandes élastiques

ES: Moldeadas y acolchadas con espuma de poliuretano flexible (densidad 65 kg/m<sup>3</sup>), ignifugo (clase 1IM), forrado de tela, estructura interna de acero con correas elásticas

### • BACKREST - SCHIENALE - RÜCKENLEHNE - DOSSIER - RESPALDO

**EN: Molded in expanded flexible polyurethane (variable density 35-65 kg/m<sup>3</sup>), fire-retardant (certified 1IM), upholstered in fabric**

IT: Stampato in poliuretano espanso flessibile (densità variabile da 35 a 65 kg/m<sup>3</sup>), ignifugo (classe 1IM), rivestito in tessuto

DE: Gedruckt aus flexiblem Polyurethan (variable Dichte von 35 bis 65 kg/m<sup>3</sup>), bezogen mit Stoff

FR: Moulé en polyuréthane expansé flexible (densité variable de 35 à 65 kg / m<sup>3</sup>), ignifuge (classe 1IM), revêtue en tissu

ES: Moldeada en espuma de poliuretano flexible (densidad variable de 35 a 65 kg/m<sup>3</sup>), ignifuga (clase 1IM), forrada de tela

### • PANEL - PANNELLO - PANEEL - PANNEAU - PANEL

**EN: Internal structure in plywood padded with expanded, flexible polyurethane (density 65kg/m<sup>3</sup>), fire-retardant (certified 1IM), upholstered in fabric**

IT: Struttura interna in multistrato imbottito con poliuretano espanso flessibile (densità 65kg/m<sup>3</sup>), ignifugo (classe 1IM), rivestito in tessuto

DE: Innere Struktur aus Sperrholz gepolstert mit flexiblem Polyurethan (Dichte 65 kg/m<sup>3</sup>), feuerfest (Klasse 1M), bezogen mit Stoff

FR: Structure interne en multiplis rembourrée en polyuréthane expansé flexible (densité 65kg / m<sup>3</sup>), ignifuge (classe 1IM), revêtue en tissu

ES: Estructura interna de contrachapado tapizado de espuma de poliuretano flexible (densidad 65kg/m<sup>3</sup>), ignifugo (clase 1IM), forrado de tela

BDH001/100 - BDH001/100\_USB - BDH001/140 - BDH001/140\_USB -  
 BDH001T/100 - BDH001T/100\_USB - BDH001T/140 - BDH001T/140\_USB -  
 BDH002/100 - BDH002/100\_USB - BDH002/140 - BDH002/140\_USB

DESIGN  
**Busetti Garuti Redaelli**

## FABRIC - TESSUTO - STOFF - TISSU - TEJIDO

Cat. D40÷D44 - E - G - H40÷H53 - H60÷H64 - H120÷H127 - N01+N08 - N30÷N38

EN: For more information see finishing legend on the website  
 IT: Per maggiori informazioni vedere legenda finiture sul sito web

## • LEGS - GAMBE - BEINE - PIEDS - PATAS

EN: Extruded aluminium, Ø25 mm with black Ø18 mm polyethylene pads  
 IT: Estruso di alluminio, Ø25 mm con gommini neri Ø18 mm in polietilene  
 DE: Aus extrudiertem Aluminium Ø25 mm mit Ø18 mm Polyethylen-Pads  
 FR: Aluminium extrudé, Ø25 mm avec caoutchouc en polyéthylène Ø18 mm  
 ES: Aluminio extruido, Ø25 mm con goma de polietileno Ø18 mm

## LEGS FINISH - FINITURA GAMBE - AUSFÜHRUNG DER BEINE - FINITIONS PIEDS - ACABADO PATAS

EN: Powder coating  
 IT: Verniciato con polvere  
 DE: Pulverbeschichtet  
 FR: Époxy à poudre  
 ES: Barnizado con polvo



NERO

## TURNING TABLET - TAVOLETTA GIREVOLE - WENDETISCH - TABLE PIVOTANTE - TABLETA GIRATORIA

EN: Turning tablet in solid laminate  
 IT: Tavolettina girevole in stratificato  
 DE: Wendetisch aus Kompakt  
 FR: Table pivotante en stratifié  
 ES: Tableta giratoria en compacto

## TOP FINISH - FINITURA RIPIANO - AUSFÜHRUNG DER TISCHPLATTE - FINITION PLATEAU - ACABADO SOBRE



FNP\_NE\*

\*Anti-fingerprint finish  
 Finitura anti-impronta

TOP / RIPIANO / TISCHPLATTE / PLATEAU / SOBRE  
**10 mm thickness** / Spessore 10 mm / Stärke 10 mm / Épaisseur 10 mm / Espesor 10 mm  
**Flat edge** / Bordo piatto / Flache Kante / Chant plat / Canto rect  
**Black core** / Anima nera / Schwarzer kern / Coeur noir / Alma negra

EN: Available only for model BDH001T/140 - BDH001T/140\_USB  
 IT: Disponibile solo per il modello BDH001T/140 - BDH001T/140\_USB

## USB

EN: USB socket  
 IT: presa USB  
 DE: USB-Buchse  
 FR: Prise USB  
 ES: Toma USB

EN: Available only for model BDH001/140\_USB - BDH001T/140\_USB  
 IT: Disponibile solo per il modello BDH001/140\_USB - BDH001T/140\_USB

Reproduction of this document is strictly prohibited without prior written authorisation from Pedrali Spa. Sizes, weights and finishes may change without previous notice.  
 È vietata la riproduzione del seguente documento senza previa autorizzazione scritta da parte di Pedrali Spa. Dimensioni, pesi e finiture possono variare senza alcun preavviso.

ST\_BUDDYHUB\_2024.1

BDH001/100 - BDH001/100\_USB - BDH001/140 - BDH001/140\_USB -  
 BDH001T/100 - BDH001T/100\_USB - BDH001T/140 - BDH001T/140\_USB -  
 BDH002/100 - BDH002/100\_USB - BDH002/140 - BDH002/140\_USB

DESIGN  
**Busetti Garuti Redaelli**

## REGULATIONS AND CERTIFICATES

Normative e Certificazioni  
 Bestimmungen und Zertifikat  
 Normatives et certifications  
 Normativas y certificados

• **RESISTANCE TEST** - TEST DI RESISTENZA - TEST ZUR BELASTBARKEIT - TEST D'ENDURANCE - PRUEBA DE RESISTENCIA

EN 1728:2012, 6.4 - EN 16139:2013, L2  
 EN 1728:2012, 6.5 - EN 16139:2013, L2  
 EN 1728:2012, 6.10 - EN 16139:2013, L2  
 EN 1728:2012, 6.18 - EN 16139:2013, L2  
 EN 1728:2012, 6.15 - EN 16139:2013, L2  
 EN 1022:2018,7.2

• **SOUND ABSORPTION TEST** - TEST DI FONO ASSORBENZA - SCHALLDÄMPFUNGSTEST - TEST D'ABSORPTION ACOUSTIQUE - PRUEBA DE ABSORCIÓN ACÚSTICA

EN ISO 354:2003 - EN ISO 11654:1997,  $\alpha_w = 0,55$

• **ENVIRONMENTAL IMPACT** - IMPATTO AMBIENTALE - UMWELTBELASTUNG - IMPACT DUR L'ENVIRONNEMENT - IMPACTO AMBIENTAL

MATERIAL Materiale	Kg WEIGHT Peso	% TOTAL ITEM Totale articolo	MATERIAL RECYCLABILITY Riciclabilità' del materiale	% MINIMUM RECYCLED AT ORIGIN Minima riciclato all'origine	% RECYCLABLE END OF PRODUCT LIFE Riciclabile fine vita prodotto
Steel Acciaio	15,4	17,99	YES	33,2	100
Extruded Aluminium Alluminio estruso	1,6	1,87	YES	100	100
Polypropylene Polipropilene	1,28	1,5	YES	0	100
Polyethylene Polietilene	0,004	0,005	YES	0	100
Fabric Tessuto	4,02	4,70	NO	0	0
Polyurethane foam Poliuretano espanso	16,1	18,81	NO	0	0
Ply-wood Legno multistrato	47,2	55,14	YES	0	100
<b>TOTAL</b> TOTALE	<b>85,6 Kg</b>	--	--	<b>7,8 %</b>	<b>76,5 %</b>

EN: Percentages referred to BDH002-140  
 IT: Percentuali riferite al BDH002-140

Reproduction of this document is strictly prohibited without prior written authorisation from Pedrali Spa. Sizes, weights and finishes may change without previous notice.  
 È vietata la riproduzione del seguente documento senza previa autorizzazione scritta da parte di Pedrali Spa. Dimensioni, pesi e finiture possono variare senza alcun preavviso.

ST-BUDDYHUB\_2024.1