

## Suave planter ø42x65 cm

by Marcel Wanders

The Suave in&out furniture collection, designed by Marcel Wanders for Vondom, blurs the boundaries between indoors and outdoors, achieving a superior level of softness, comfort and relaxation. With innovative design and high quality materials, Suave transforms any space into a cosy and elegant oasis.



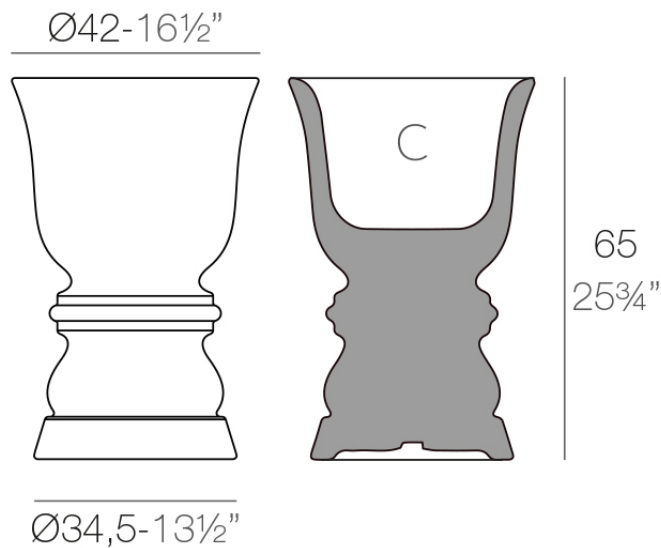
## Info

---

### Description

Pot made of polyethylene resin by rotational moulding. 100% Recyclable. Item suitable for indoor and outdoor use. Available in different finishes.

Weight: 6.42 Kg



SUAVE Macetero 65 cm  
SUAVE Planter 25 $\frac{3}{4}"$

C = 43 L  
C = 11 $\frac{1}{4}$  gal

## Finishes

---

### finishes

---

#### BASIC

Ref. 67011A



white 2001



ecru 2003



tortora 2004



cream 2017



camel 2020



clay 2022



garnet 2015



brown 2008



green 2016



blue 2018



gray 2005



anthracite 2006



black 2002



ecru granite



cream granite



ice 2101

#### Matt Polyethylene

#### SELF-WATERING

Ref. 67011R

# VONDOM



white 2001



ecru 2003



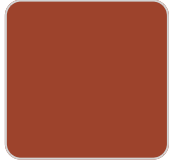
tortora 2004



cream 2017



camel 2020



clay 2022



garnet 2015



brown 2008



green 2016



blue 2018



gray 2005



anthracite 2006



black 2002



ecru granite



cream granite



ice 2101

Self-watering system included in all planters except those with basic finish

## LACQUERED Ref. 67011RF



white 3101



ecru 3103



tortora 3104



cream 3117



garnet 3113



brown 3125



green 3116



blue 3118



gray 3105



anthracite 3106



black 3102

Lacquered Polyethylene

## lighting

---

WHITE LED  
Ref. 67011W

White internally lit unit with LED technology. Available only in matte ice white finish.

RGBW LED  
Ref. 67011L

Unit with internal lighting with RGBW LED technology and remote control unit for switching colors. Available only in matte ice white finish. Remote control included.

RGBW LED DMX  
Ref. 67011D

Unit with internal lighting with RGBW LED technology and remote control unit for switching colors. Also controlled by DMX-1024 (wireless), enabling communication between one or more products simultaneously via the DMX transmitter (not included). There are two options to choose from: Professional XLR DMX and Home WIFI DMX. (Remote control included).

Optional battery

# VONDOM

## RGBW LED BATTERY

Ref. 67011Y

Unit with internal lighting with battery-powered RGBW LED technology. Includes charger and remote control for switching colors and charger. Available only in matte ice white finish.

## RGBW LED DMX BATTERY

Ref. 67011DY

Unit with internal lighting with RGBW LED technology and remote control unit for switching colors. Also controlled by DMX-1024 (wireless), enabling communication between one or more products simultaneously via the DMX transmitter (not included). There are two options to choose from: Professional XLR DMX and Home WIFI DMX. (Remote control included).

## Ambients

---

