

## Manta cantilever

by Eugeni Quitllet

New outdoor and indoor chair collection. The versatile Manta chair adapts perfectly to any space, whether in a home, office, or public setting. This is all possible thanks to an interchangeable design made up of seats and bases to create countless combinations.

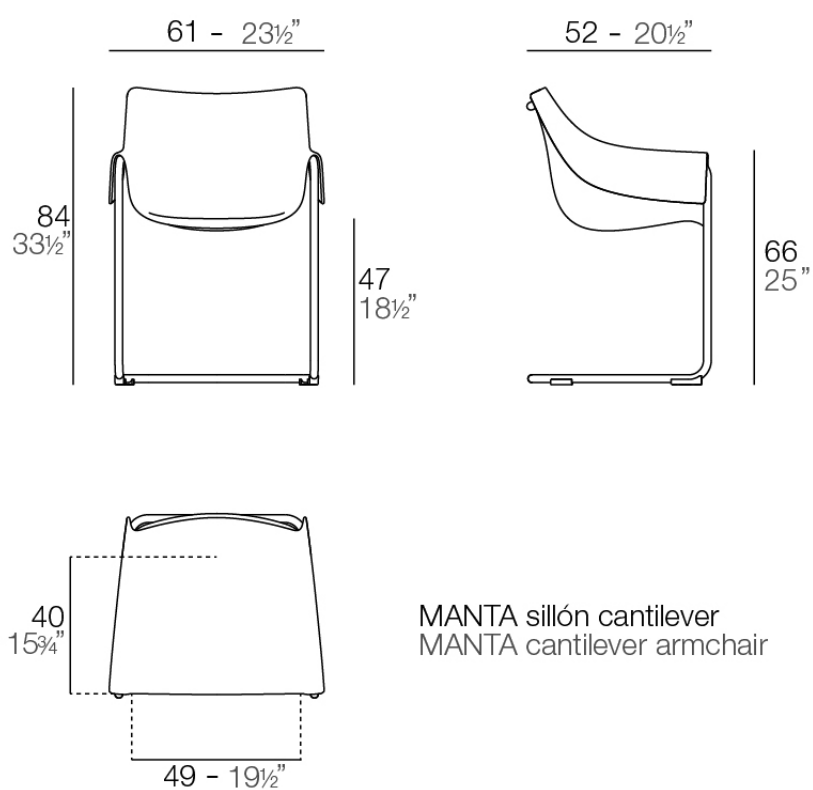


## Info

---

### Description

Weight: 5.6 Kg



MANTA sillón cantilever  
MANTA cantilever armchair

## Finishes

---

### finishes

---

BASIC PP  
Ref. 65047



white



ecru



black

Available in various colors

### legs

---

LEGS  
Ref. 65047E



white 201



black 2002

## Ambients

---

