

## Ibiza lounge chair

by Eugeni Quitllet

Vondom's Ibiza collection, designed by Eugeni Quitllet, captures the essence of life by the sea and the ephemeral beauty of a season transformed into timeless pieces. Inspired by the sea breeze and the Mediterranean sun, Ibiza is an ode to sustainable design and the emotional mood that defines this iconic island.



## Info

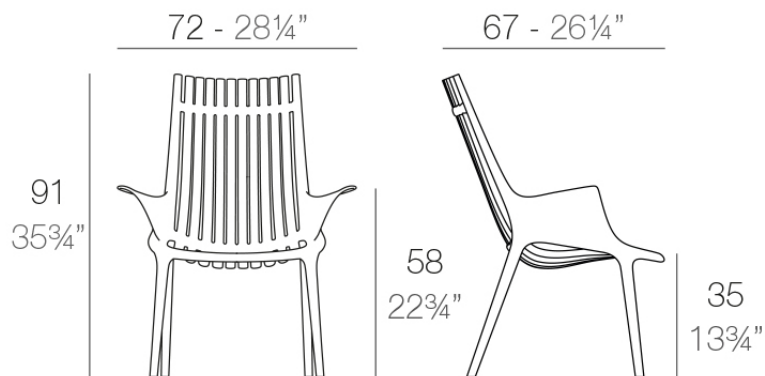
---

### Description

Made from polypropylene and reinforced with fiberglass manufactured by gas injection. Stackable . Available in various colors. Suitable for indoor and outdoor use.

In addition, the “Vondom Revolution” finish means it is made from 100% recycled plastic from the Mediterranean sea.

Weight: 8.51 Kg



IBIZA Sillón  
IBIZA Lounge Chair

## Accessories

---

- **Fabric**

Fabric

## Finishes

---

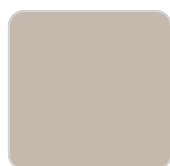
### finishes

---

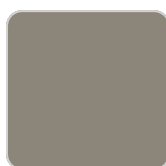
BASIC PP  
Ref. 65039



white



ecru



tortora



black



jade

Available in various colors

## Ambients

---

