

## Brooklyn bar stool ø45x76

by Eugeni Quitllet

The Brooklyn furniture collection, designed by Eugeni Quitllet, is an invitation to rediscover the metropolitan essence in every line and curve. Inspired by the architecture of New York's iconic bridge, Brooklyn combines contemporary elegance with an urban edge that connects past, present and future in any environment. Brooklyn is today, yesterday and tomorrow.



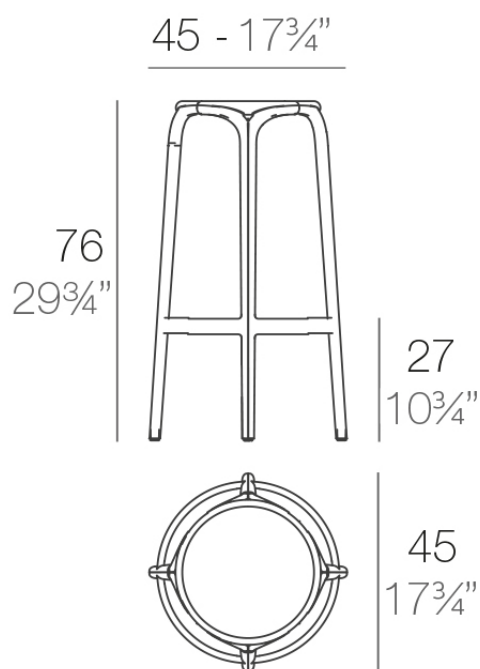
## Info

---

### Description

Made of injected polypropylene with fiber glass. Stackable. Available in several colors. Item suitable for indoor and outdoor use.

Weight: 4.31 Kg



BROOKLYN Taburete Alto 76  
BROOKLYN Bar Stool 29 3/4"

## Finishes

---

### finishes

---

BASIC PP  
Ref. 65027



white



ecu



tortora



black

Available in various colors

## Ambients

---

