

# MOMO 1

Jeremiah Ferrarese, 2015

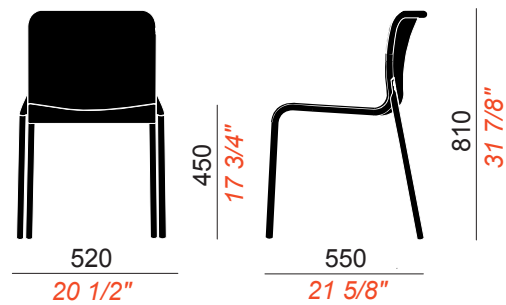
# COLOS

 MADE IN ITALY

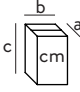
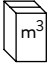



Four-legged chair, tubular steel frame with 25 mm diameter and monoshell in steel plate, zinc-coated and powder-coated with polyester. Stackable up to 12 units on the floor and 14 on a trolley.

2D and 3D drawings available at [www.colos.it](http://www.colos.it)



COLOS is a Cerantola SPA trademark - Via Giorgione, 2 - Ramon di Loria (TV) - ITALIA - PI 02143740260 - T +39 0423 755013 - F +39 0423 755152 - www.colos.it

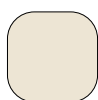
QUANTITY PER PACKAGE	BOX SIZES 	PACKAGE VOLUME 	PACKAGE WEIGHT 
2	66x61x86	0,35	17

CERTIFICATION/  
TEST RESULTS

**Declaration of Conformity  
CATAS  
n.° 11660 - June 27, 2016**

- EN 16139 test report n. 213947 - 1/2016
- EN 16139 test report n. 213947 - 2/2016
- EN 1728 test report n. 213947 - 3/2016
- EN 1728 test report n. 213947 - 4/2016
- EN 1728 test report n. 213947 - 5/2016
- EN 1728 test report n. 213947 - 6/2016
- EN 1728 test report n. 213947 - 7/2016
- EN 1728 test report n. 213947 - 8/2016
- EN 1728 test report n. 213947 - 9/2016
- EN 1728 test report n. 213947 - 10/2016
- EN 1728 test report n. 213947 - 11/2016
- EN 1728 test report n. 213947 - 12/2016
- EN 1728 test report n. 213947 - 13/2016
- EN 1728 test report n. 213947 - 14/2016
- EN 1022 test report n. 213947 - 15/2016

## COLORS STEEL MONOSHELL AND FRAME



CREAM



SENF



LIGHT GREEN



PANTIKAN



AUBERGINE



BROWN



BLACK

NCS 0804 - G90Y

NSC 2070 - Y20R

NCS 5540 - Y90R

NCS 5010 - G90Y

NCS 5540 - Y90R

NCS 8010 - Y30R

NCS 9000 - N

FIREPROOF: CLASS 0