

STONE BUTACA

By Stefano Giovannoni & Elisa Gargan



As its name suggests it appears to be found in nature itself, creating synergism between the natural and the artificial landscape. Stone can fit perfectly into any environment, transmitting its own particular elegance, thanks to its material, as well as its original shape.

View online: <https://www.vondom.com/products/55006>

Features

Description

Made of polyethylene resin by rotational moulding. 100% Recyclable. Item suitable for indoor and outdoor use. Available in different finishes.

Weight

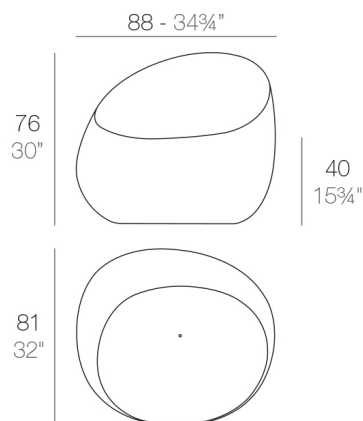
13 Kg

Includes

ACOLCHADO CREVIN Indoor/outdoor Natural look fabric. Easy to clean. Optional

ACOLCHADO NAUTIC Indoor/outdoor Vinyl fabric By default

ACOLCHADO SILVERTEX Indoor/outdoor Vinyl fabric liner Optional



STONE Butaca
STONE Lounge Chair

Finishes

BASIC

Ref. 55006

Matt Polyethylene

LACQUERED

Ref. 55006F

Lacquered Polyethylene

LIGHT

Ref. 55006W

White internally lit unit with LED technology. Available only in matte ice white finish.

RGBW LED

Ref. 55006L

Unit with internal lighting with RGBW LED technology and remote control unit for switching colors. Available only in matte ice white finish. Remote control included.

RGBW LED DMX

Ref. 55006D

Unit with internal lighting with RGBW LED technology and remote control unit for switching colors. Also controlled by DMX-1024 (wireless), enabling communication between one or more products simultaneously via the DMX transmitter (not included).

RGBW LED BATTERY

Ref. 55006DY

Unit with internal lighting with battery-powered RGBW LED technology. Includes charger and remote control for switching colors and charger. Available only in matte ice white finish.

COLOR	BASIC	LACQUERED / LACADO	LUZ
ICE	<input checked="" type="checkbox"/>	<input type="checkbox"/>	<input type="checkbox"/>
WHITE	<input type="checkbox"/>	<input type="checkbox"/>	<input type="checkbox"/>
BLACK	<input type="checkbox"/>	<input type="checkbox"/>	<input type="checkbox"/>
BRONZE	<input type="checkbox"/>	<input type="checkbox"/>	<input type="checkbox"/>
STEEL	<input type="checkbox"/>	<input type="checkbox"/>	<input type="checkbox"/>
ANTHRACITE	<input type="checkbox"/>	<input type="checkbox"/>	<input type="checkbox"/>
RED	<input type="checkbox"/>	<input type="checkbox"/>	<input type="checkbox"/>
PISTACHIO	<input type="checkbox"/>	<input type="checkbox"/>	<input type="checkbox"/>
ORANGE	<input type="checkbox"/>	<input type="checkbox"/>	<input type="checkbox"/>
KHAKI	<input type="checkbox"/>	<input type="checkbox"/>	<input type="checkbox"/>
NAVY	<input type="checkbox"/>	<input type="checkbox"/>	<input type="checkbox"/>
TAUPE	<input type="checkbox"/>	<input type="checkbox"/>	<input type="checkbox"/>
PLUM	<input type="checkbox"/>	<input type="checkbox"/>	<input type="checkbox"/>
ECRU	<input type="checkbox"/>	<input type="checkbox"/>	<input type="checkbox"/>
BEIGE	<input type="checkbox"/>	<input type="checkbox"/>	<input type="checkbox"/>
WHITE	<input type="checkbox"/>	<input type="checkbox"/>	<input type="checkbox"/>
BLACK	<input type="checkbox"/>	<input type="checkbox"/>	<input type="checkbox"/>
BRONZE	<input type="checkbox"/>	<input type="checkbox"/>	<input type="checkbox"/>
STEEL	<input type="checkbox"/>	<input type="checkbox"/>	<input type="checkbox"/>
RED	<input type="checkbox"/>	<input type="checkbox"/>	<input type="checkbox"/>
PISTACHIO	<input type="checkbox"/>	<input type="checkbox"/>	<input type="checkbox"/>
ORANGE	<input type="checkbox"/>	<input type="checkbox"/>	<input type="checkbox"/>
NAVY	<input type="checkbox"/>	<input type="checkbox"/>	<input type="checkbox"/>
PLUM	<input type="checkbox"/>	<input type="checkbox"/>	<input type="checkbox"/>
ECRU	<input type="checkbox"/>	<input type="checkbox"/>	<input type="checkbox"/>
BEIGE	<input type="checkbox"/>	<input type="checkbox"/>	<input type="checkbox"/>
ICE SILVER-4004	<input type="checkbox"/>	<input type="checkbox"/>	<input type="checkbox"/>
SISAL SILVER-1051	<input type="checkbox"/>	<input type="checkbox"/>	<input type="checkbox"/>
TAUPE SILVER-0009	<input type="checkbox"/>	<input type="checkbox"/>	<input type="checkbox"/>
MOCCA SILVER-0005	<input type="checkbox"/>	<input type="checkbox"/>	<input type="checkbox"/>
SAGE SILVER-5009	<input type="checkbox"/>	<input type="checkbox"/>	<input type="checkbox"/>
PLATA SILVER-4001	<input type="checkbox"/>	<input type="checkbox"/>	<input type="checkbox"/>
RASPBERR.SILVER-2016	<input type="checkbox"/>	<input type="checkbox"/>	<input type="checkbox"/>
JET SILVER-3068	<input type="checkbox"/>	<input type="checkbox"/>	<input type="checkbox"/>
PIST.SILVER-5008	<input type="checkbox"/>	<input type="checkbox"/>	<input type="checkbox"/>
BEIGE SILVER-1010	<input type="checkbox"/>	<input type="checkbox"/>	<input type="checkbox"/>
METEOR SILVER-4024	<input type="checkbox"/>	<input type="checkbox"/>	<input type="checkbox"/>
VITA-IMP 07	<input type="checkbox"/>	<input type="checkbox"/>	<input type="checkbox"/>
VITA-IMP 14	<input type="checkbox"/>	<input type="checkbox"/>	<input type="checkbox"/>
VITA-IMP 51	<input type="checkbox"/>	<input type="checkbox"/>	<input type="checkbox"/>
VITA-IMP 54	<input type="checkbox"/>	<input type="checkbox"/>	<input type="checkbox"/>
VITA-IMP 42	<input type="checkbox"/>	<input type="checkbox"/>	<input type="checkbox"/>
VITA-IMP 30	<input type="checkbox"/>	<input type="checkbox"/>	<input type="checkbox"/>
VITA-IMP 53	<input type="checkbox"/>	<input type="checkbox"/>	<input type="checkbox"/>
VITA-IMP 55	<input type="checkbox"/>	<input type="checkbox"/>	<input type="checkbox"/>
CHAMPAGNE	<input type="checkbox"/>	<input checked="" type="checkbox"/>	<input type="checkbox"/>

